

Submitted Model No.: _____

Specific Features: _____



see what Delta can do™

DIVERTERS

- All Brass Construction
- ADA Compliant

STANDARD SPECIFICATIONS:

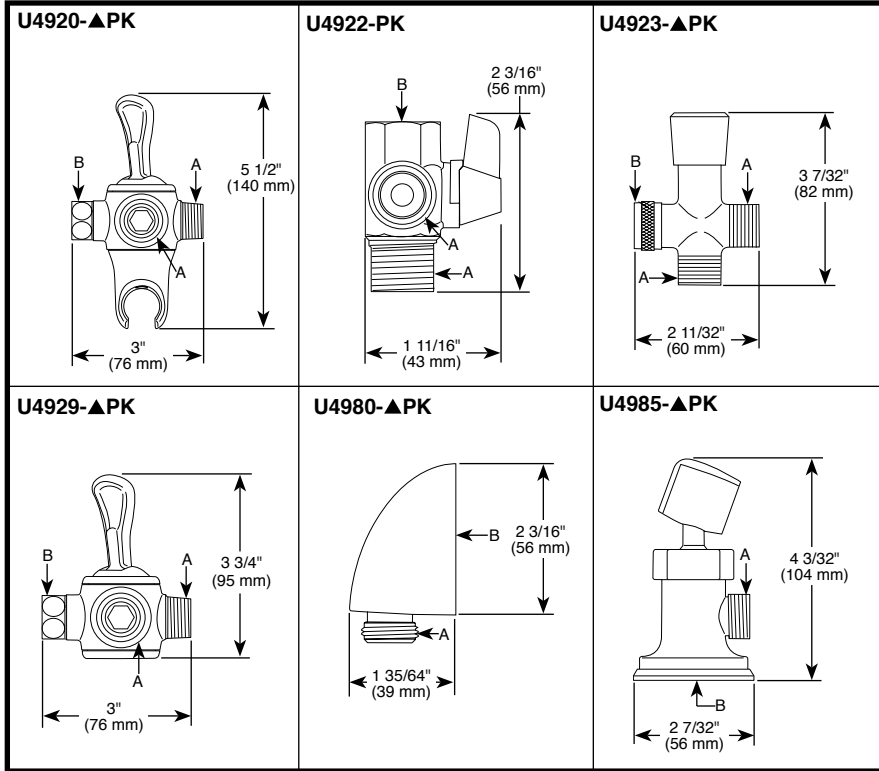
- All brass construction
- Diverts water
- Flip lever: U4920, U492
- Water supply elbow: U4980.

WARRANTY

- Lifetime limited warranty on parts (other than electronic parts and batteries) and finishes; or for commercial users, for 5 years from the date of purchase.
- 5 year limited warranty on electronic parts (other than batteries); or for commercial users, for 1 year from the date of purchase. No warranty is provided on batteries

COMPLIES WITH:

Indicates compliance to ICC/ANSI A117.1



▲ Designate proper finish suffix

A	1/2-14 NPSM-2A
B	1/2-14 NPSM-2B